



SOLID [®]
SCREEN



The technology behind the zipper

SOLID[®] SCREEN

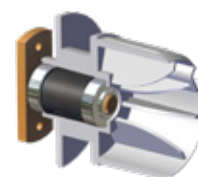
Screens are a form of exterior sun blinds, which have become increasingly popular during the past few years. This is hardly surprising, given that vertical screens are installed parallel to the facade, and they open and close in the same way. This means that the screen does not extend outwards from the facade at all, and therefore does not occupy precious space.

In addition to effectively deflecting solar energy, the SolidScreen also offers visual comfort by admitting diffuse light, without blocking the outside view. The system is successfully tested on wind loads of up to 145 km/h, and has achieved the highest rating in both durability and wind load tests performed by TÜV. The SolidScreen is therefore highly suitable for use at considerable heights. Several versions of this versatile screen have been developed.

SolidScreen[®] Standard	Numerous headbox types available	4
SolidScreen[®] XS	Extra small side guides	6
SolidScreen[®] XL	Considerable heights or widths up to 6 metres	8
SolidScreen[®] Niche And Niche XS	Installable in niche, a cove or cavity	10
SolidScreen[®] Xtra	Concealed installation of top cover supports	12
Tibelly[®] Screen fabric	Colour chart	14
Mood impression	Examples of projects	16
Certification	TÜV Nord / Von Karman Institute / WTCB	18

The SolidScreen is made of durable materials and is extra solid due to, for example, double bearing in various bearing bungs and an additional special headbox support to wide dimensions. There are also special rollers available with a recessed fabric groove, which significantly reduces the marks while rolling up of the screen fabric.

All SolidScreens have mounting plates, which allow the top roller to be slid in and out of the headbox, and various side guides provide the ability to fully carry the engine cable out of sight.



Sectional plastic bearing bung with double bearing

Despite the fact that this brochure has been compiled with the utmost care, no rights can be derived from the content.

Colour

A range of several standard colours is always available in stock. This enables us to ensure swift delivery. And we can usually also cater to your own particular preference in this regard, as the SolidScreen can be supplied in practically any RAL colour.

Headbox

The headbox is the most conspicuous part of the system attached to the façade, when the SolidScreen is opened. You therefore have the choice of a wide range of headbox shapes and dimensions.

Operation

We can offer you various types of operating systems. In fact, the SolidScreen can be operated using a wall-mounted switch, remote control unit or even an app installed on your smartphone or tablet.



Side guides

The SolidScreen offers many of its unique functions due to the side guide, equipped with zip-guided technology. The screen closes fully, as a result of the connection between the guide, zip and fabric.

Screen fabric

The screen fabric determines both the appearance of the SolidScreen and the ambience it creates. You have a choice of no fewer than forty Tibelly Sergé and eight Tibelly (highly light-reducing) ecolo1% fabric colours. Hence something to suit every taste.

Bottom slats

The bottom slat plays a crucial role. It keeps the screen fabric taut, while providing a tight seal at the base, in combination with a brush or rubber strip. Your local SolidScreen dealer would be pleased to assist you in choosing the most suitable of the various options available.

Tibelly[®]



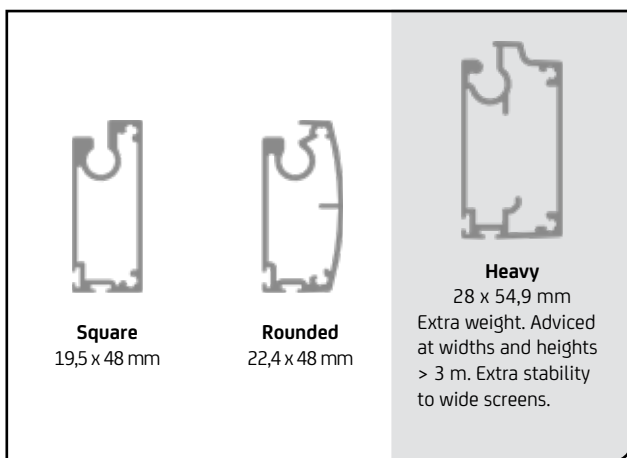
SOLID SCREEN®

Standard

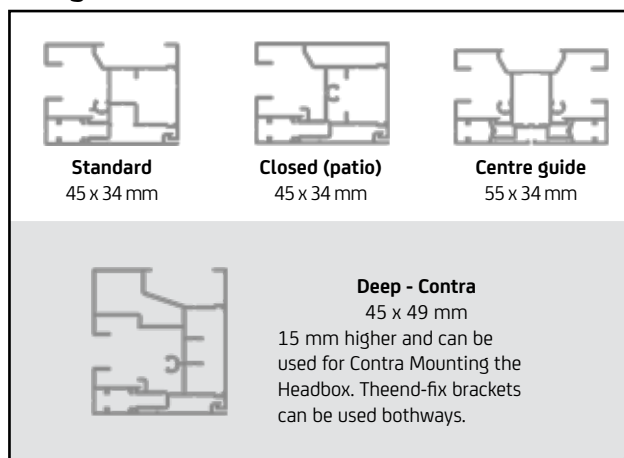


The SolidScreen Standard is the basic of the entire SolidScreen range, and the forerunner of all other zip-guided screens. It is the solution for anyone who requires a high quality storm proof screen.

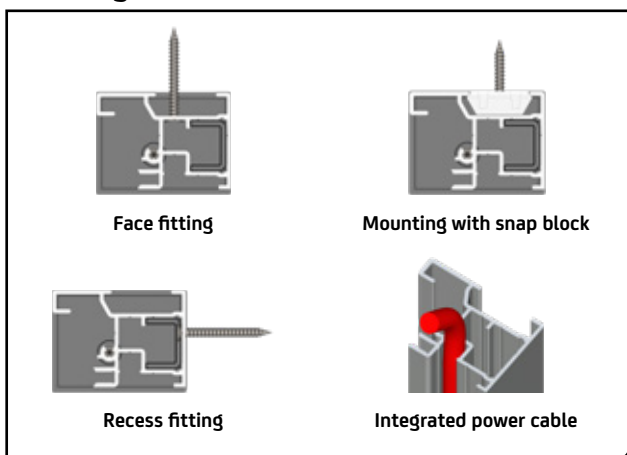
Bottom slats



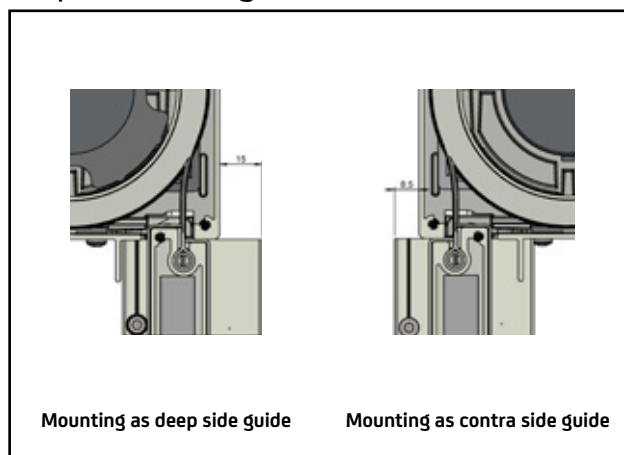
Side guides

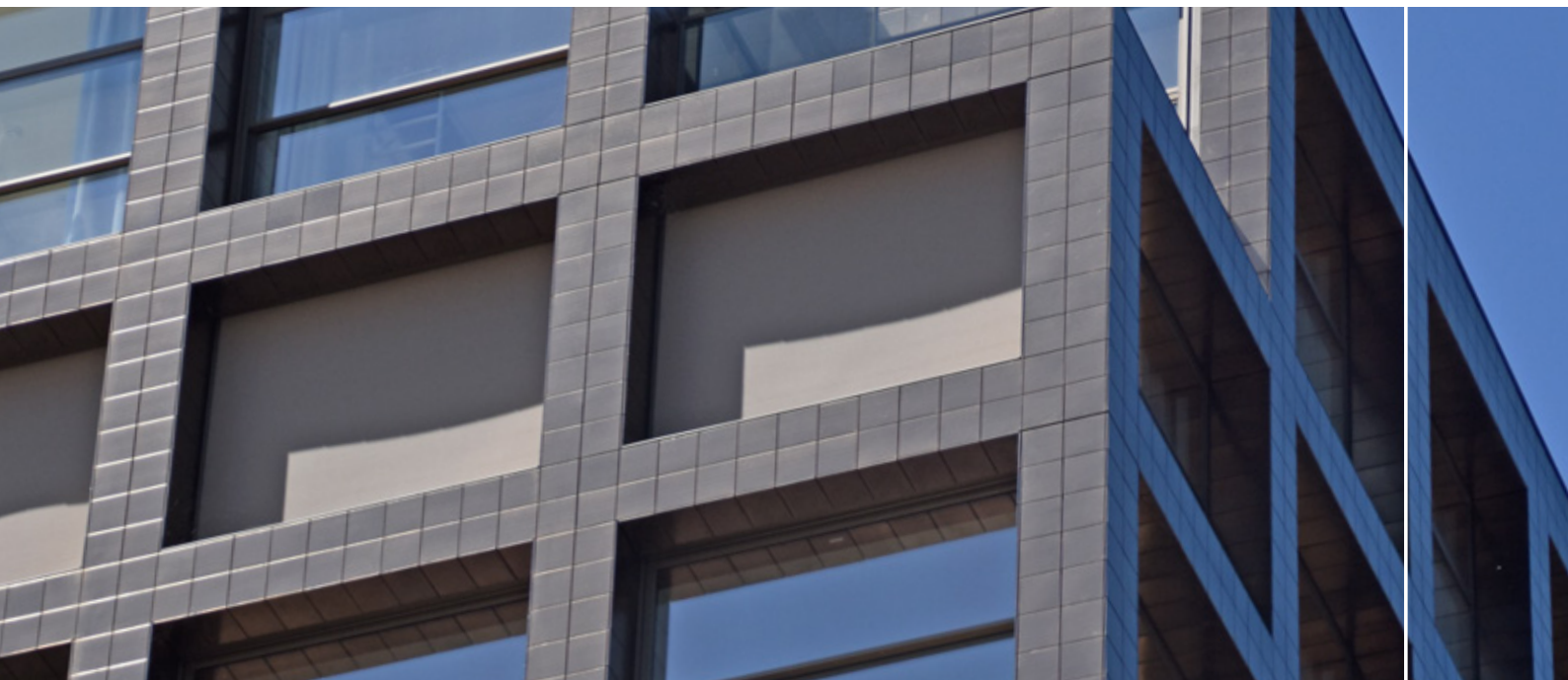


Mounting



Deep- contra side guide





Headbox

Headbox size	Headbox model	Max. width	Max. height	Roller	Additional information
85		3000 mm	1750 mm	63 mm	Manual operation possible.
95		3000 mm	3000 mm	63 mm	Manual operation possible.
105		3000 mm 4000 mm	3500 mm 3000 mm	78 mm	Manual operation possible.
125		5000 mm 3000 mm	3000 mm 5000 mm	78 mm <4 m. 85 mm >4 m.	Headbox can be additionally supported with aluminium brackets.

Options

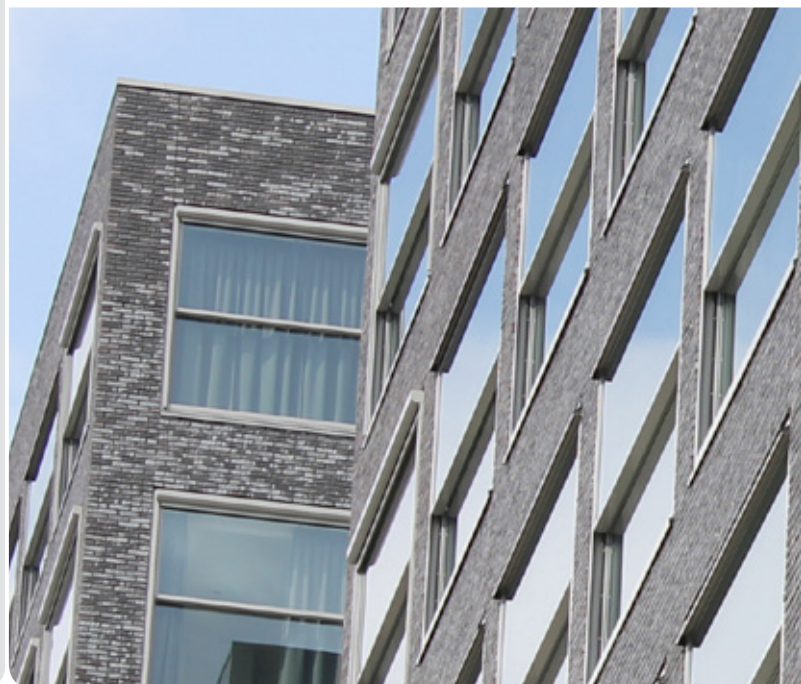
Filling profile
12 x 30 mm for click side guides.

Linkable
All sizes of the SolidScreen are linkable with corresponding coupling set.



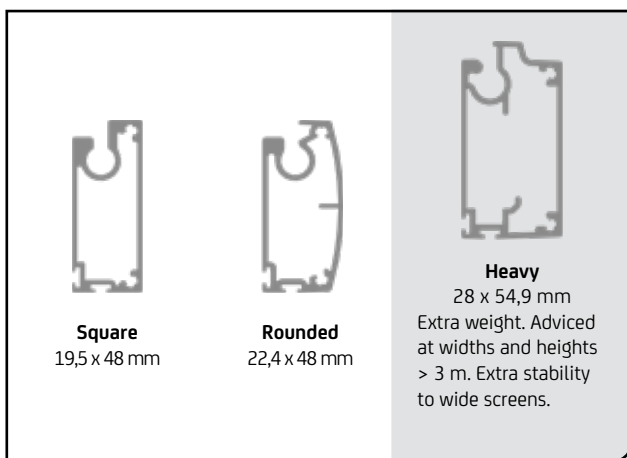
SOLID SCREEN[®]

XS

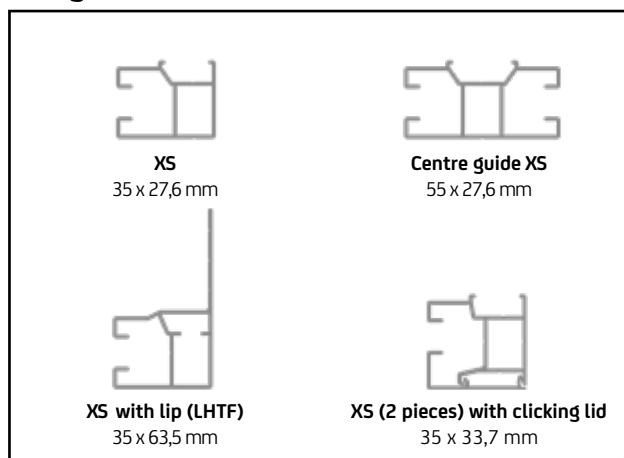


The SolidScreen XS is characterised by its extra small side guides, which measure just 35 mm. It is both aesthetically pleasing and easy to install, while retaining the numerous advantages of the SolidScreen. The XS also offers a wide range of options.

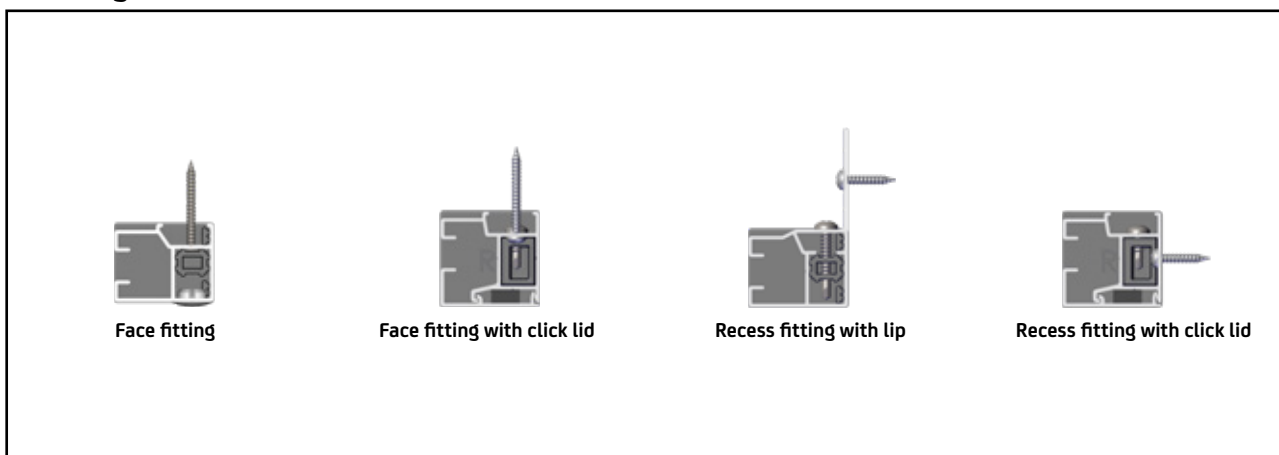
Bottom slat



Side guides







Mounting





Headbox

Headbox size	Headbox model	Max. width	Max. height	Roller
75		2700 mm	1750 mm	51 mm
85		2700 mm	2000 mm	51 mm
		3000 mm	1750 mm	63 mm
95		3000 mm	3000 mm	63 mm
105		3000 mm	3500 mm	78 mm
		4000 mm	3000 mm	

Options

Linkable

All sizes of the SolidScreen XS are linkable with corresponding coupling set.



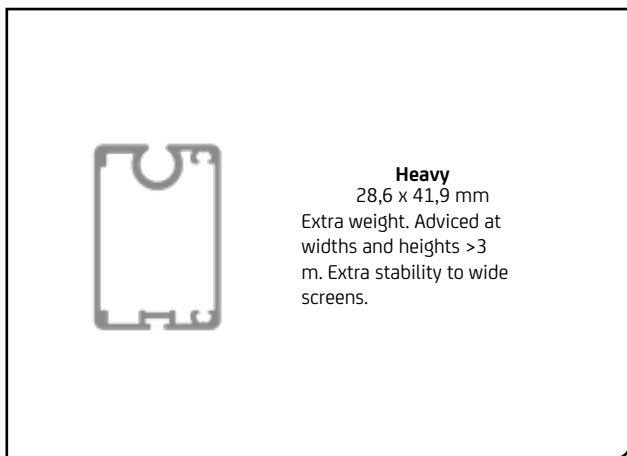
SOLID SCREEN[®]

XL

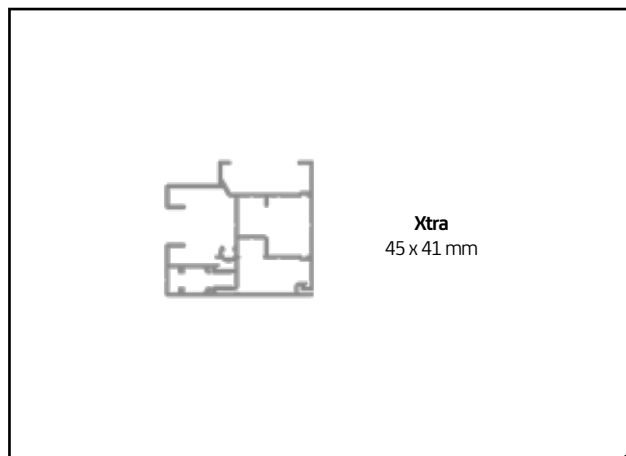


The SolidScreen XL is characterised by the substantial dimensions in which the screen can be supplied. Its special combination of reinforced materials mean that the SolidScreen XL can be supplied in widths or heights up to six meters.

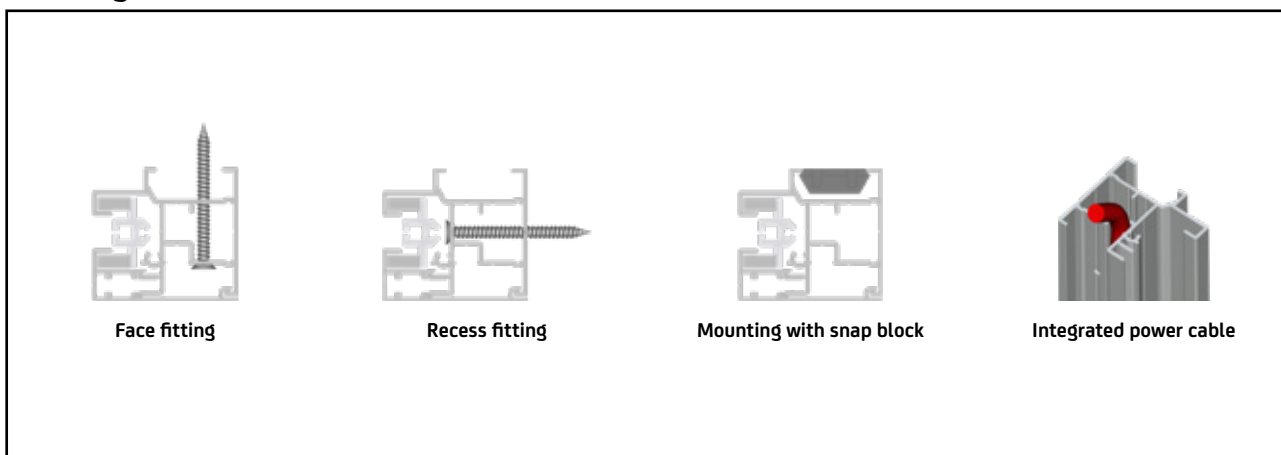
Bottom slat



Side guides

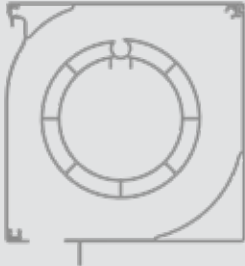



Mounting



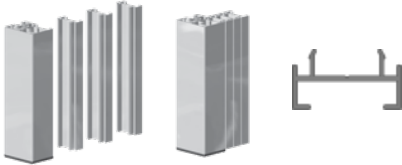


Headbox

Headbox size	Headbox model	Max. width	Max. height	Roller	Additional information
150		6000 mm 3000 mm	3000 mm 6000 mm	Double-walled Alu fabric roller externally 100 mm. Internally suitable for the special bungs for fabric roller 78. The side guides of the SolidScreen® Xtra are used, for a slightly increased spacing to the wall.	Headbox can be additionally supported with aluminium brackets. 

Options

Filling profile
12 x 30 mm for click side guides.



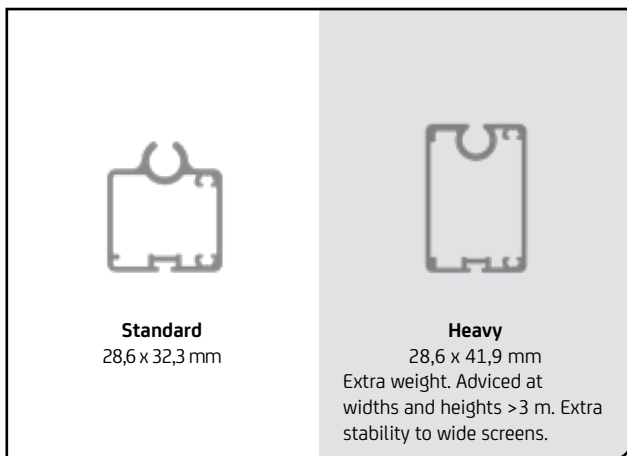

SOLID SCREEN®

Niche and Niche XS

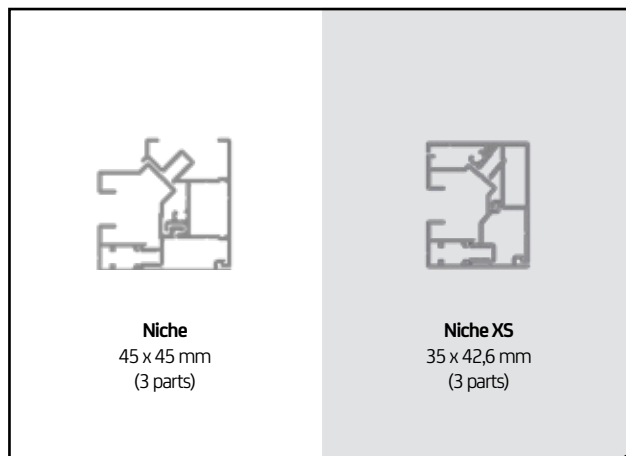


The SolidScreen Niche and Niche XS distinguish themselves by the way in which they are installed. The Niche and Niche XS are ideally suited for installation during the construction of new premises. However, these screens can also be fitted to existing residential properties.

Bottom slats



Side guides



Mounting

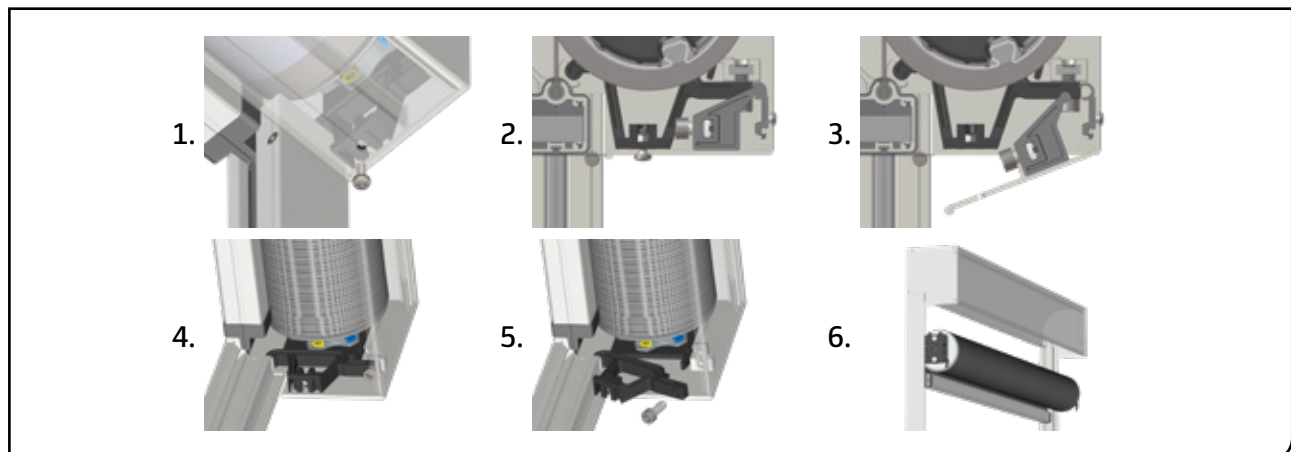




Headbox

Headbox size	Headbox model	Max. width	Max. height	Roller
Niche XS H 133,5 D 110		3000 mm	3000 mm	63 mm
		4000 mm	3000 mm	78 mm
Niche H 133,5 D 123,5		3000 mm	3500 mm	78 mm
		4000 mm	3000 mm	78 mm
		5000 mm	2000 mm	85 mm

Disassembly fabric roller



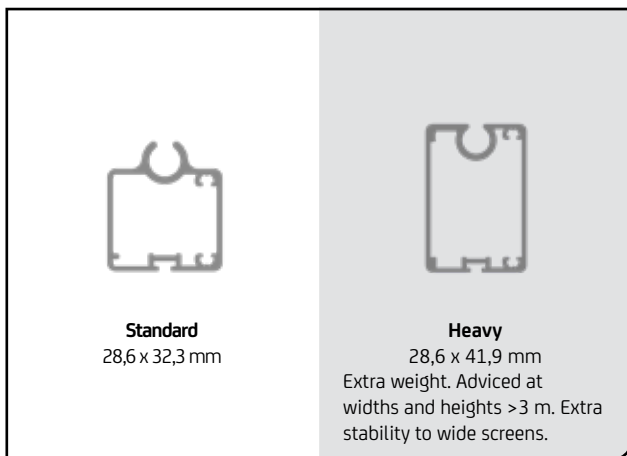
SOLID SCREEN®

Xtra

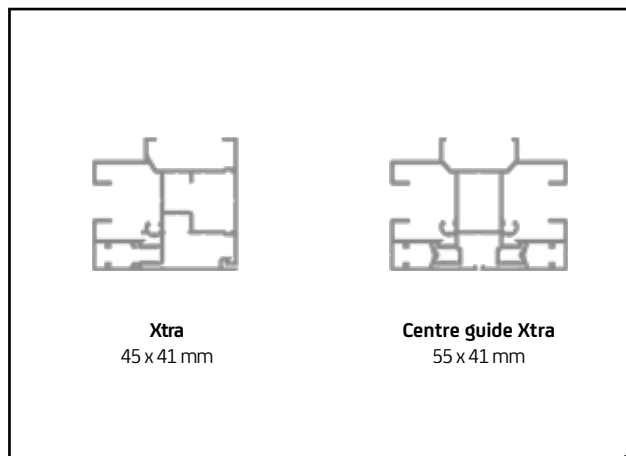


The SolidScreen Xtra, the zip-guided screen for the purist and lover of a flawless design. In addition to all the benefits of a zip-screen, the Xtra is characterized by the fact that fasteners, such as screws, are completely out of sight.

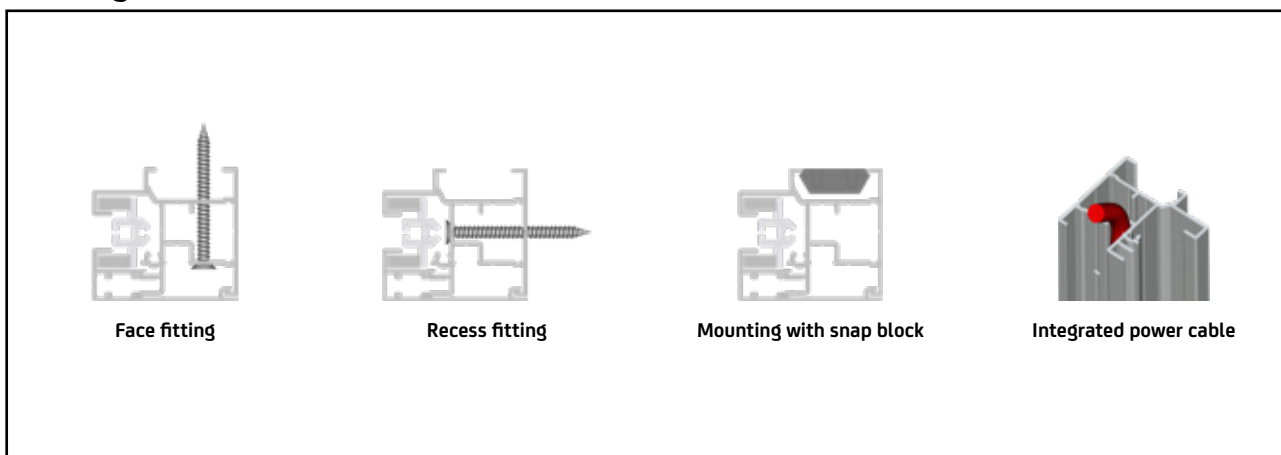
Bottom slats

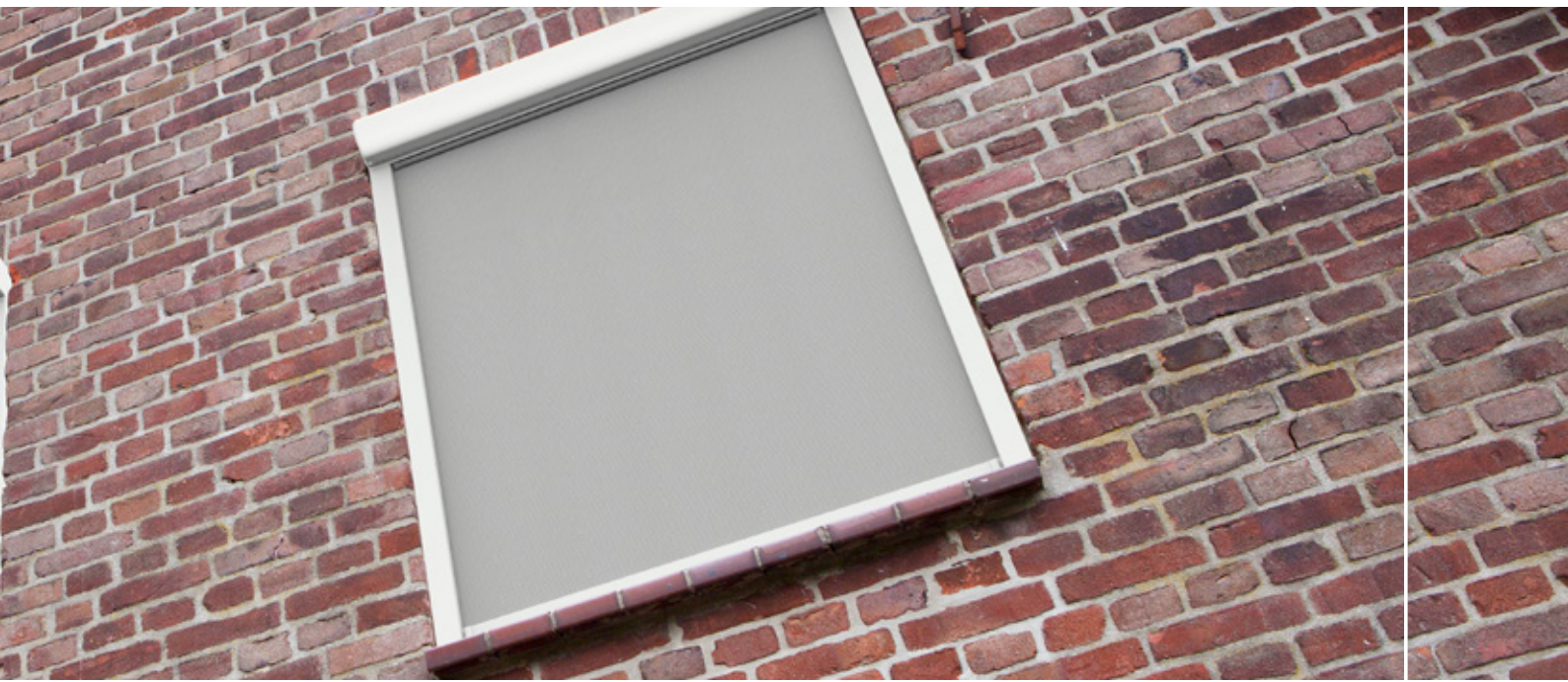


Side guides

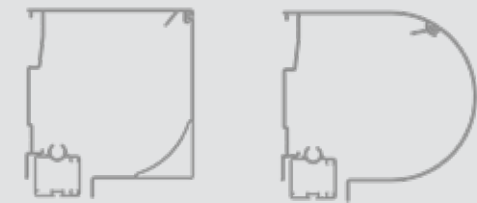
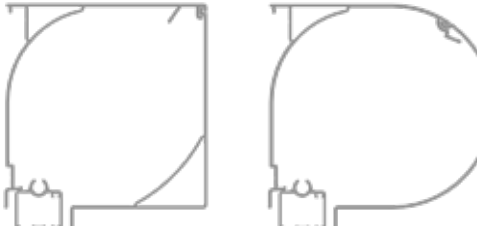
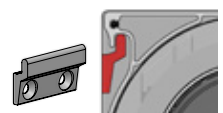


Mounting



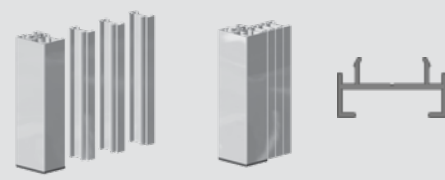


Headbox

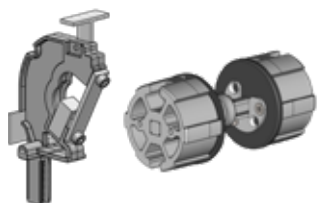
Headbox size	Kasttypen	Max. width	Max. height	Roller	Additional information
105		3000 mm	3000 mm	63 mm	-
125		3000 mm 4000 mm 5000 mm	5000 mm 3000 mm 3000 mm	78 mm 78 mm 85 mm	Headbox can be additionally supported with aluminium brackets. 

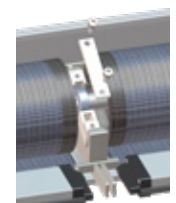
Options

Filling profile
12 x 30 mm for click side guides.



Linkable
All sizes of the SolidScreen Xtra are linkable with corresponding coupling set.

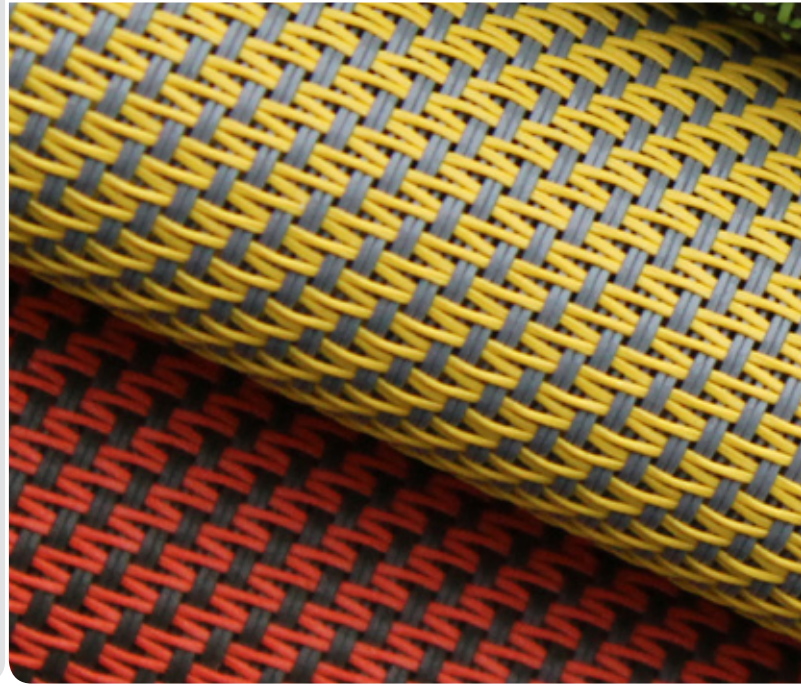






Tibelly®

Screen Fabric



Tibelly® Sergé

T71818 plain black



T70818 grey-black



T71848 black-grey-flax



T71308 bronze-grey



T70808 plain grey



T71708 pearl-grey



T71717 plain pearl



T71608 flax-grey



T70841 grey-white-pearl



T70801 grey-white



T71701 pearl-white



T70141 white-white-pearl



T70101 plain white



T71813 black-bronze



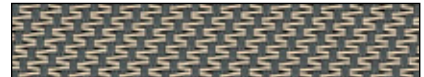
T71313 plain bronze



T71213 sand-bronze



T71812 black-sand



T70812 grey-sand



T70826 grey-caramel



T71816 black-flax



T71716 pearl-flax



T71745 pearl-white-sand



T71212 plain sand



T71616 plain flax





Tibelly® ecole1%

T71201 sand-white



T71601 flax-white



T71111 plain dark blue



T70811 grey-dark blue



T71711 pearl-dark blue



T70867 Pacific



T70806 grey-light blue



T71622 flax-dark green



T70802 grey-green



T71315 bronze-lime



T71881 Jamaica



T70803 grey-yellow



T71203 sand-yellow



T71305 bronze-mandarin



T70805 grey-mandarin



T70809 grey-orange



T31818 plain black



T31808 black-grey



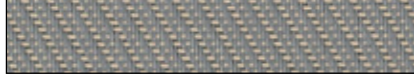
T30818 grey-black



T30808 plain grey



T30812 grey-sand



T31708 pearl-grey



T30801 grey-white

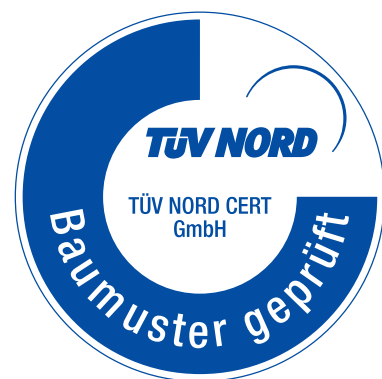


T31701 pearl-white



The fabric colours displayed in this brochure may deviate slightly from the true colours.





We set great store by quality. All our sun protection products are compliant with the CE standards and, since the year 2000, have been subjected to extensive testing by the TÜV Nord Group. This is carried out in accordance with the DIN EN 13561:2009-01 and DIN EN 1932:2013-08 standards.

SolidScreens are tested on the basis of two criteria: Lifespan class and wind resistance class, which are assessed on a scale of 0 to 3. The SolidScreen range emerged from the tests with the highest possible rating, namely class 3 (lifespan) and 4 (wind resistance).





Lifespan class according to DIN EN 13561

Lifespan expresses the number of extension and retraction movements that an exterior sun blind can withstand. The overview below indicates the various applicable classes.

Number of movements	Class 1	Class 2	Class 3
Open and close	3.000	7.000	10.000

Wind resistance class according to DIN EN 1932

Wind load is the maximum force of the wind which an opened exterior sun blind can withstand. The overview below indicates the various wind resistance classes.

Wind resistance class	Class 0	Class 1	Class 2	Class 3	Class 4
Beaufort scale	< 4	4	5	6	7
V (km/h) (maximum)	< 28 km/h	28 km/h	38 km/h	49 km/h	61 km/h
V (m/s) (maximum)	< 7,8 m/s	7,8 m/s	10,5 m/s	13,6 m/s	17 m/s
Nominal test pressure p (N/m ²)	< 40	40	70	110	170
Safety test pressure 1,2 p (N/m ²)	< 48	48	84	132	204

Example:

Wind resistance class = Beaufort-scale class 4 = windspeed of max. 28 km/h or 7,8 m/s = pressure of 40 Newton per m².

Windtunneltest Von Karman Institute

To emphasize the strength of our SolidScreen, we asked the Von Karman Institute to submit our zip-guided screen to an additional wind tunnel test. After a successful test (VKI EAR 1040 SolidScreen 95 report) on the maximum capacity of the wind tunnel at a wind speed of 145 km/h, our SolidScreen was still fully functioning.

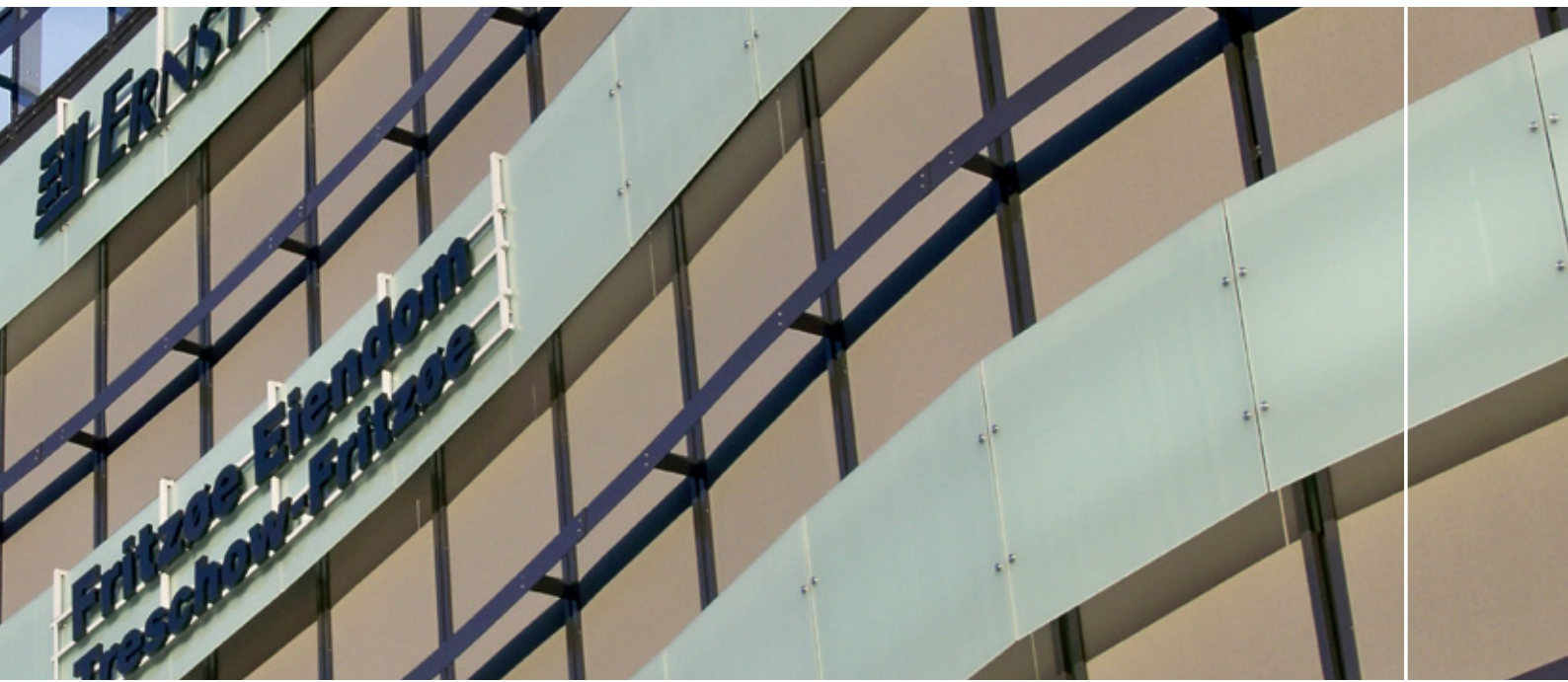


Wind pressure test WTCB

In addition to the wind tunnel test, a wind pressure test has been performed by the WTCB (report 651 XI 180 CAR 10143). Here too, the SolidScreen zip-guided system appeared to be resistant to very high in wind pressures.







Your sun protection system dealer:

